



Fortress Utility Rings

Cover Options

See reverse for details of various cover and frame options.

Box Options

Product Ring Chamber

UR6045 Utility Ring

Dimensions:

Inside	Outside	
L/W 595/445	A/B 770/620	D 150 per ring
X/Y 595/445	E/F 770/620	

Product Ring Chamber

UR3030 Utility Ring

Dimensions:

Inside	Outside	
L/W 295/295	A/B 410/410	D 150 per ring
X/Y 295/295	E/F 410/410	

Cutout Base Rings

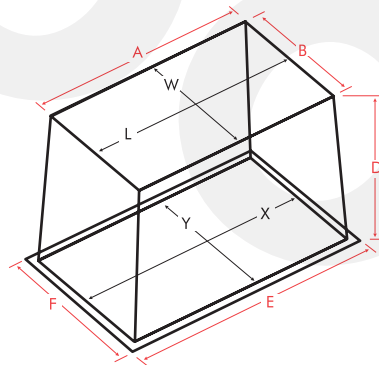
Optional base ring with pre-cut entries to drop over joints or pre-installed plant.

Compatibility:

Use UR3030 for 2 way Mk2 link box

Use UR6045 for 4 way link box

- Top ring has height adjustment bolts to accommodate surface level gradient.
- Cable management features can be attached to walls.
- Positive interlock between sections.
- Suitable for building around pre-installed equipment and apparatus.



Application Notes: Carson boxes are suitable for a wide range of applications, from grass verge (A15) to car park & footpath applications (B125). It is important to select the correct cover and frame and installation method to suit the loading and local conditions. Technical advice is available from Carson. These products are not designed for carriageway use. All dimensions to nearest 5mm. Due to our policy of continuous improvement, we reserve the right to change specifications without notice.



IDA Business & Technology Park,
Racecourse Road, Roscommon, Ireland.

Tel: +353 (0)9066 25922

Fax: +353 (0)9066 25921

email: sales@carson europe.com

www.carson europe.com www.multiduc.com



Glendora, California

www.carsonind.com



Material Data

(Specification available on request)

Structural Foam – High Density Polyethylene

HDPE has excellent chemical resistance to ethanol, acetone, diesel etc. and is unaffected by sulfate ground conditions.

- Recyclable
- Robust – no breakage waste
- Completely impervious to water
- Nitrogen injection creates cellular core (CFC free)
- High strength to weight ratio
- High stiffness to weight ratio
- Easy to cut for duct entries

Properties of unfoamed resin	Test Method	HDPE
Tensile Strength	ISO 1926	21.37 - 37.92 N/mm ²
Flexural Modulus	ISO 1290 - 2	1103 - 1447 N/mm ²
Notched Izod Impact Strength	ISO 180 - 1A	270 - 800 J/M
Deflection Temperature	ISO 75 - 1	73 - 82°
Density	ISO 8962	0.955 g/cm ³
Chemical Resistance	–	Excellent
Water Absorption	–	None

Vertical Load Rating

Suitable for installation in footpath and areas of slow moving traffic when properly installed and used with approved covers and frames (EN124 Class B125 applications).

Other Depth Options

Depth can be increased as required in 150mm increments. Top ring can incorporate adjusting bolts to provide 75mm range of depth adjustment.

Cover and Frame Options

	UR 3030	UR 6045
Ductile Iron Cover (kitemarked to EN124 Class B125)	✓	✓
Concrete Infill Cover & Galvanised Steel Frame	✓	✓
HDPE Cover	X	X

Base Options

- Pre cut entries for Link Box and other applications.
- Bottom plates/floors and grates to protect or locate internal equipment can be provided.

Application Notes: Carson boxes are suitable for a wide range of applications, from grass verge (A15) to car park & footpath applications (B125). It is important to select the correct cover and frame and installation method to suit the loading and local conditions. Technical advice is available from Carson. These products are not designed for carriageway use. *All dimensions to nearest 5mm.* Due to our policy of continuous improvement, we reserve the right to change specifications without notice.